



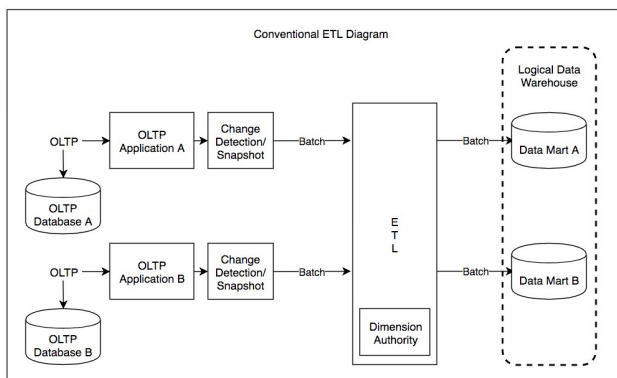
# *Sygnos* **DB**

**An Intelligent Database**

**Data Sheet.**

## Rich Profile Data Integration

Connecting various data from multiple sources into a unified database requires a process known as ETL (Extract, Transform, Load) to create a rich and scalable structure that users can use for their analysis. This process traditionally requires a lot of user involvement to ensure the quality of integrated data, but our system enhanced the process using Artificial Intelligence to simplify user involvements.



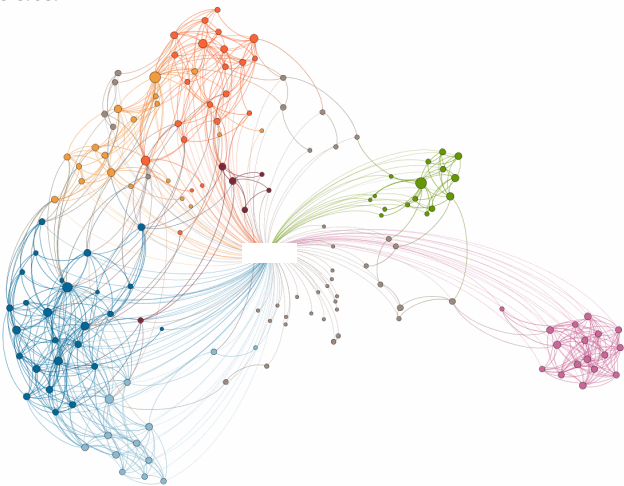
## Data Extraction

Extracting data from other databases depends on the structure of said database, as well as their internal data consistency. Most the time, every source database has their own unique structure and unique key values. To simplify this process, most use cases utilises API (Application Protocol Interface) to bridge the connection between the databases. Requiring only minimal user involvement in ensuring the quality of the connection.

## Data Transformation

Extracted data need to be evaluated and transformed to meet the requirements of the target database. This evaluation functions as an input for the data transformers to maintain data integrity and structural consistency so that the data can be utilised by the users accordingly.

Our data transformation technology relied on self-evaluation with minimal user inputs to ensure data integrity and structural consistency. Using Artificial Intelligence to automatically create a robust structure allowed the data to be viewed in various ways as required by the users and making it easier for machine learning pipelines to ingest the data.



## Data Loading

In storing the transformed data, our system utilises graph technology to automatically maintain the structural integrity with minimal supervision. Our system would also index and shard the data according to their usage requirements, ensuring sufficient redundancy, to ensure data availability at all times.

For Further Information, Please Contact:



**Omni Global Technologies, PTE. LTD**

105 Cecil Street, #13-01, The Octagon

Singapore 069534 | +65 3157 1823

[marketing@omniglobaltech.com.sg](mailto:marketing@omniglobaltech.com.sg)